

2004-2008 F-150/ Mark LT

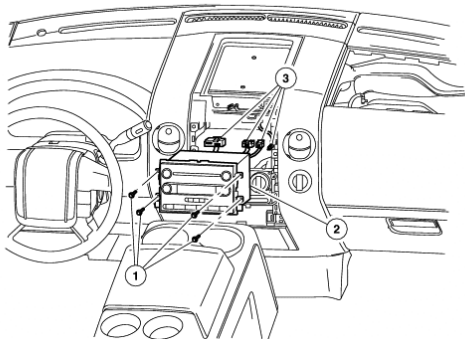
Step: 1

Using a non marring tool unsnap the trim bezel around radio cavity.

Step: 2

Remove four 7mm screws holding radio in place. (see figure A)

Figure A



A0089934

Step: 3

Disconnect the 24 Pin Main Radio Connector and connect supplied 24 pin T-harness.

Step: 4

Route the harness across dash through passenger side behind glove box and up A-pillar.
* note if installing behind sun visor route cable up driver side

Step: 5

Route the cable behind the door molding making sure not to cross the side curtain bag if equipped. (To remove the A-pillar remove grab handle screw caps and un bolt both 8mm screws then simply rock the A-pillar gently from side to side to break clip loose).

Step: 6

Route Harness to opening cut in headliner and connect to Bluetooth unit.

Step: 7

Reassemble A-pillar molding/ Radio and Dash bezel.