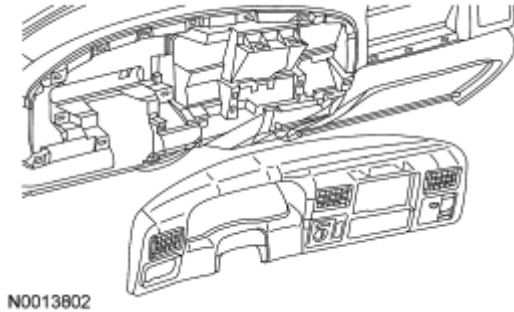


## 2005-2007 Super Duty

### Step: 1

Using a non marring tool unsnap the dash finish bezel around instrument panel cavity and disconnect all connectors from switches attached to bezel. It is easiest if the tilt wheel is down and the shift lever is in 1<sup>st</sup> gear. (see figure A)

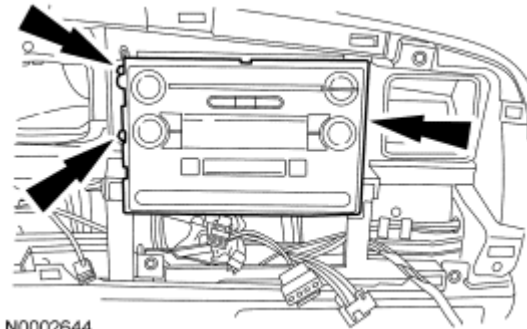
**Figure A**



### Step: 2

Remove four 7mm screws holding radio in place. (see figure B)

**Figure B**



### Step: 3

Disconnect the 24 Pin Main Radio Connector and connect supplied 24 pin T-harness.

### Step: 4

Route the harness across dash through passenger side behind glove box and up A-pillar.  
\* note if installing behind sun visor route cable up driver side

### Step: 5

Route the cable behind the door molding making sure not to cross the side curtain bag if equipped. (To remove the A-pillar first remove the grab handle bolts if equipped and then simply rock the A-pillar gently from side to side to break clip loose).

**Step: 6**

Route Harness to opening cut in headliner and connect to Bluetooth unit.

**Step: 7**

Reassemble A-pillar molding/ Radio and Dash bezel.