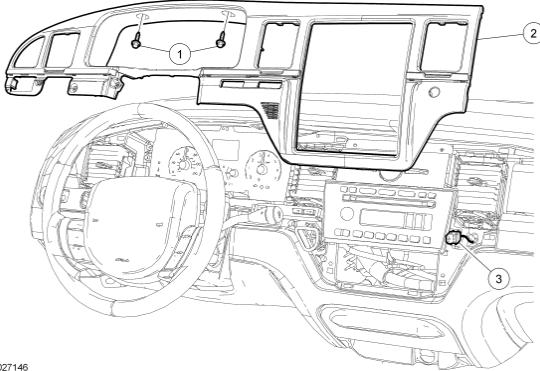


2003- 2009 Towncar

Step: 1

Remove two screws above cluster area and unsnap entire bezel. (See figure A)

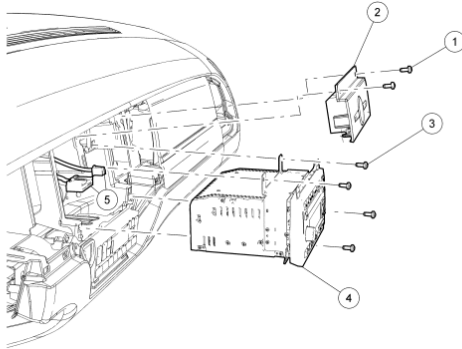


N0027146

Figure A

Step: 2

Remove clock and radio by unscrewing six screws. (See figure B)



N0090039

Figure B

Step: 3

Disconnect the 24 Pin Main Radio Connector and connect supplied 24 pin T-harness.

Step: 4

Route the harness across dash through passenger side behind glove box and up A-pillar.
* note if installing behind sun visor route cable up driver side

Step: 5

Remove A-pillar bezel by pulling cover towards center of vehicle.

Step: 6

Route Harness to opening cut in headliner and connect to Bluetooth unit.

Step: 7

Reassemble A-pillar molding/ Radio and Dash bezel.