

## 2004-2007 Freestyle

### Step: 1

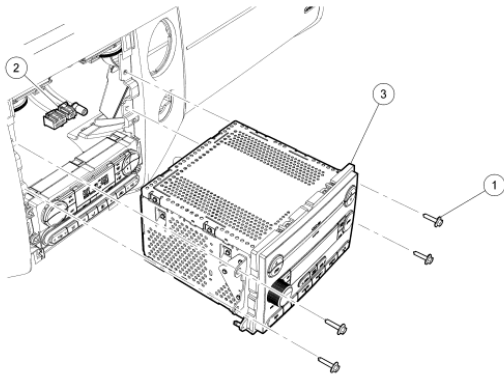
Using a non marring tool unsnap the transmission selector trim bezel and cup holder assembly.

### Step: 2

Remove two 7mm screws in center console finish panel and remove panel around radio, unsnap panel and disconnect all connectors.

### Step: 3

Remove radio by unscrewing four 7mm bolts. (See figure A)



N0057178

**Figure A**

### Step: 5

Disconnect 24 Pin Main Radio Connector and connect supplied 24 pin T-harness.

### Step: 6

Route the harness across dash through passenger side behind glove box and up A-pillar.  
\* note if installing behind sun visor route cable up driver side

### Step: 7

Remove the A-pillar trim bezel by pulling on the upper part of the trim bezel toward the center of the vehicle.

### Figure: 9

Route Harness to opening cut in headliner and connect to Bluetooth unit.

### Step: 10

Reassemble A-pillar/ Radio and Dash bezel.