

2004- 2009 Mustang

Step: 1

Open center console door and remove two exposed Phillips screws.

Step: 2

Lift up on entire center console trim cover/ cup holder area.

Step: 3

Remove left and right trim covers on either side of radio by pulling towards back.

Step: 4

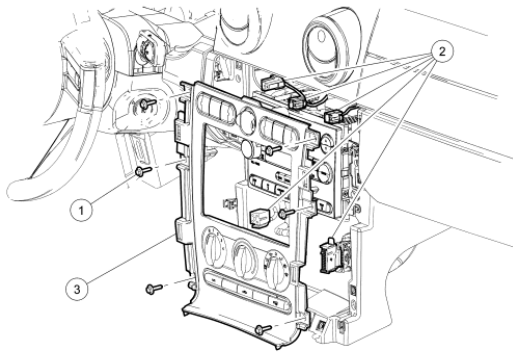
Remove six screws holding bezel surrounding radio.

Step: 5

Disconnect all connectors behind bezel.

Step: 6

Remove four screws holding radio.



N0027705

Step: 7

Disconnect 24 Pin Main Radio Connector and connect supplied 24 pin T-harness.

Step: 8

Route the harness across dash through passenger side behind glove box and up A-pillar.

* note if installing behind sun visor route cable up driver side

Step: 9

Remove the A-pillar trim bezel by pulling on the upper part of the trim bezel toward the center of the vehicle.

Step: 10

Route Harness to opening cut in headliner and connect to Bluetooth unit.

Step: 11

Reassemble A-pillar/ Radio/ Center Console and Dash bezel.