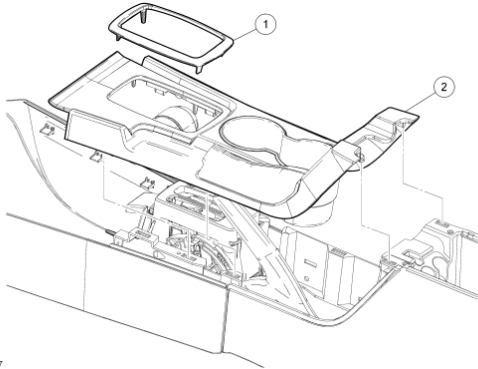


2006 Zephyr

Step: 1

Using a non marring tool unsnap the trim bezel around the transmission selector and remove the console trim assembly. (See Figure A)

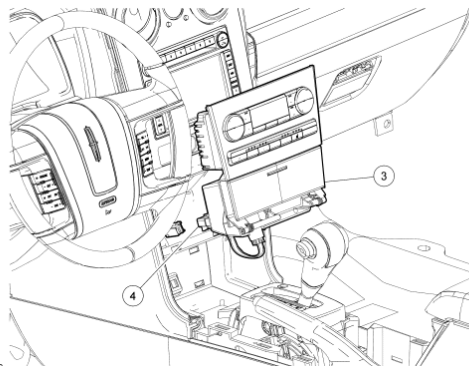


N0044497

Figure A

Step: 2

Remove the Climate control Assembly. (See figure B)

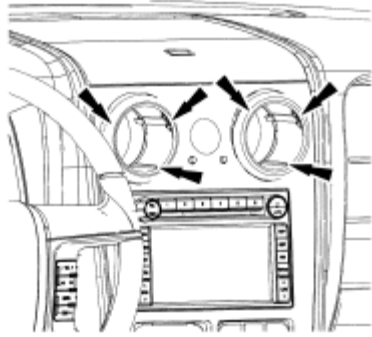


N0044498

Figure B

Step: 3

Remove the center A/C ducts by opening them and pulling straight out, then remove A/C duct retaining clips (See figure C)

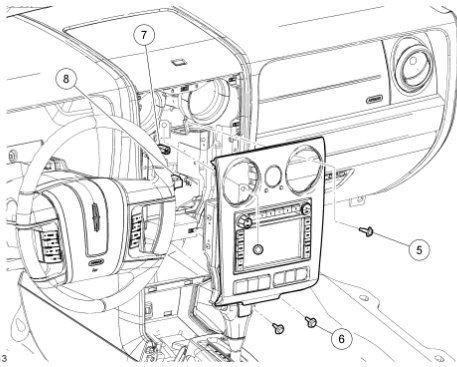


N0044505

Figure C

Step: 4

Remove two bolts inside A/C duct cavity and two bolts below center bezel assembly. (See figure D)



N0044513

Figure D

Step: 5

Unsnap bezel and remove entire bezel assembly including radio make sure to disconnect all connections.

Step: 6

Attach supplied 24 pin t-harness to radio main harness.

Step: 7

Route the harness across dash through passenger side behind glove box and up A-pillar.
* note if installing behind sun visor route cable up driver side

Step: 8

Route the cable behind the door molding making sure not to cross the side curtain bag if equipped. **The dealer recommends using a new A-pillar trim clip used (not provided) if the A-pillar is removed.** (To remove the A-pillar simply rock the A-pillar gently from side to side to break clip loose).

Step: 9

Route Harness to opening cut in headliner and connect to Bluetooth unit.

Step: 7

Reassemble A-pillar molding/ Radio and Dash bezel.