

2009 F-150

***Note: this vehicle requires Air Bag removal. Insure that the Ignition key is Off and that once the airbag is removed you set it down carefully and facing away from any person. Insure that once completed you turn on the vehicle and verify that the Airbag light in the IP turns off prior to operating vehicle.

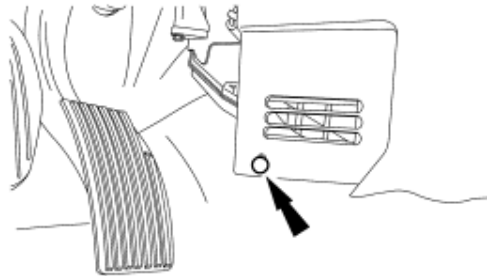
Step: 1

Slide both front seats forward and remove both bolts at bottom of center console rear area.

Step: 2

Slide both front seats rearward and remove both front lower push pins. (see figure A)

Figure A



N0080655

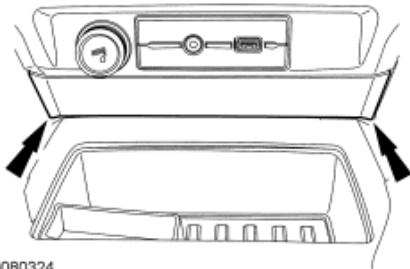
Step: 3

Pull outward on side panels which are now being held by retaining clips.

Step: 4

Using a non marring tool unsnap the center console to dash cover plate. (see figure B)

Figure B

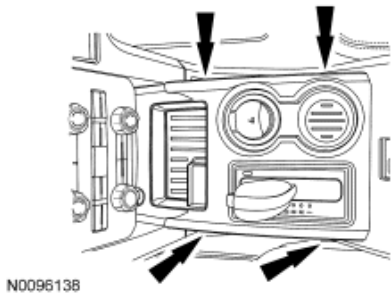


N0080324

Step: 5

Open the center glove box and lift the entire center console cover. (see figure C)

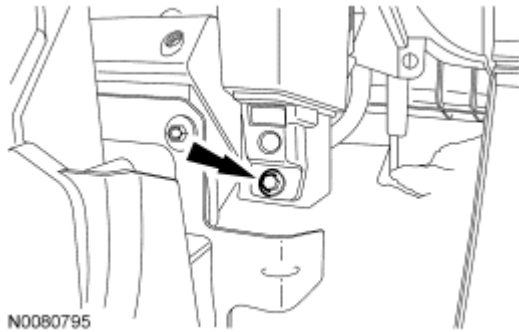
Figure C



Step: 6

Remove the Right and Left side lower console 7mm bolt. (see figure D)

Figure D



Step: 7

Remove the two screws holding the Instrument cluster trim panel and remove panel.

Step: 8

Remove the Right side trim bezel by pulling straight back.

Step: 9

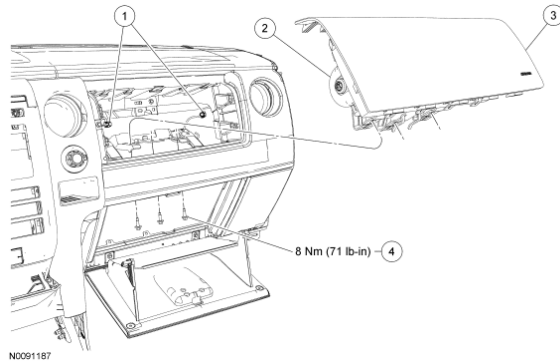
Open glove box door and drop all the way down.

Step: 10

Remove 3 8mm bolts from the bottom of the air bag unit, pull the air bag forward and disconnect both connectors on unit one on each side. (see figure E)

* Note when reinstalling torque airbag bolts to 71lbs per inch

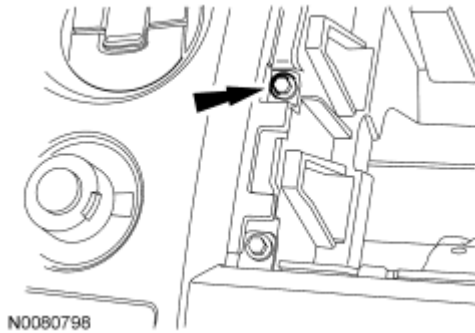
Figure E



Step: 11

Remove the right side center bolt from center dash panel. (see figure F)

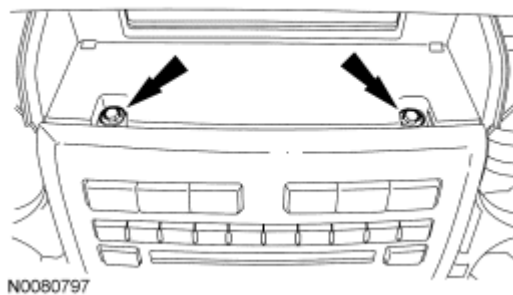
Figure F



Step: 12

Remove upper dash rubber mat to expose both bolts and remove bolts. (see figure G)

Figure G

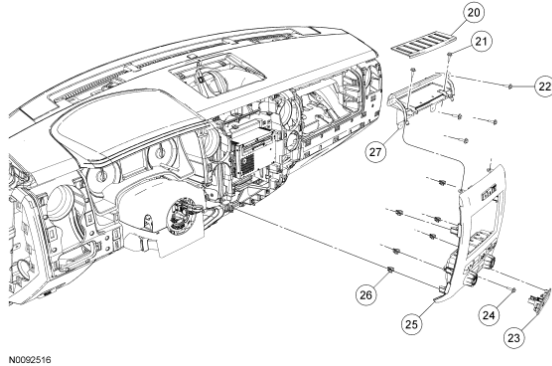


Step: 13

Remove the Audio input jack housing and disconnect all connections.

Step: 14

Remove screw exposed behind Audio input jack and remove the entire center dash finish panel. (see figure H)

Figure H**Step: 15**

Remove four screws holding radio chassis and remove radio.

Step: 16

Disconnect the 24 Pin Main Radio Connector and connect supplied 24 pin T-harness.

Step: 17

Route the harness across dash through passenger side behind glove box and up A-pillar.
* note if installing behind sun visor route cable up driver side

Step: 18

Route the cable behind the door molding making sure not to cross the side curtain bag if equipped. (To remove the A-pillar remove grab handle screw caps and un bolt both 8mm screws then simply rock the A-pillar gently from side to side to break clip loose).

Step: 19

Route Harness to opening cut in headliner and connect to Bluetooth unit.

Step: 20

Reassemble A-pillar molding/ Radio and Dash bezel.