








Wireless HD Side Marker Light Cameras

AHDS-7812



Recommended Tools			Difficulty Level
 Wire Strippers	 Wire Cutters	 Electrical Tape	
 Screw Driver	 Zip Ties		Install Time
			 45m - 1hr
Questions? Call the Brandmotion technical support line at (734) 619-1250 or CLICK HERE			

Kit Contents

Components for installing the **AHDS-7812**



Kit Contents:

(1) Left side camera W/ marker light

(1) Right side camera W/ marker light

(2) Thin gaskets for a smooth surface such as fiberglass

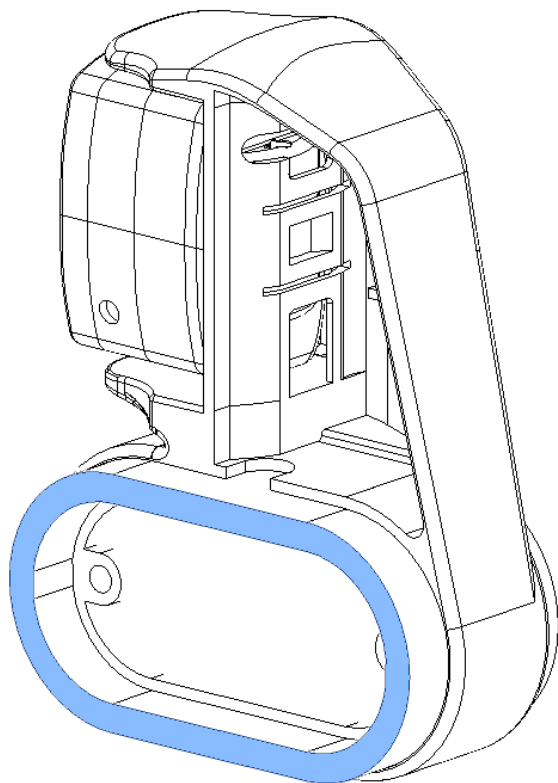
(2) Thicker gaskets for a corrugated surface such as aluminum

(4) #10 x 1-1/2" (ZINC) Phillip pan head screws

Product Installation

Preparations:

1. Prior to beginning the installation process, please locate the pairs of foam gaskets included in your product box. You will notice there are two options, one pair 5/8" in width, and one pair 1" in width.
2. For installations on vehicles with smooth exteriors, please select the pair 5/8" in width. For installations on vehicles with corrugated surfaces, please select the pair 1" in width.
3. On the backside of the side marker lights, insert the gasket with the adhesive side facing towards the center hole, as shown below.
4. Carefully remove the orange marker light cover from the marker light housing. Place aside.



5/8" width for **smooth**
 surface installation



1" width for **corrugated** surface
 installation

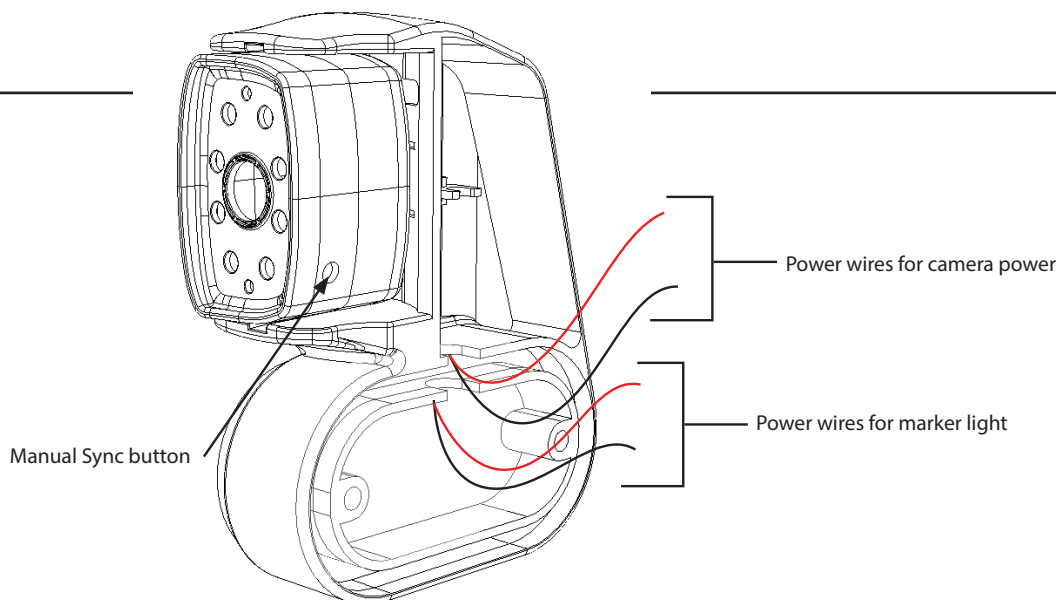


Remove lens of marker light for
 installation

Camera Installation

Installation

1. Remove the factory side marker light from the forward trailer location. Carefully disconnect the wires, using electrical wire cutters if necessary. Be mindful to cut one wire at a time. There should be two available wires. Typically, there will be a solid WHITE wire for your ground connection, and the secondary wire will be your power 12 volt connection. We recommend testing these wires with a BCM safe test light.
2. Now that your wires are located, identified, and prepped for installation, grab the appropriate side marker light camera (AHDS-7812) depending which side of the vehicle you are on (the camera lens should be facing towards the back of your vehicle when installed). Locate the BLACK wires from the camera and light on your AHDS-7812 and connect them to the ground wire from your vehicle (typically a WHITE wire). Locate the RED wires from the camera and light on your AHDS-7812 and connect them to the power wire that is connected to the trailer factory lights. Please ensure all connections are either soldered or properly crimped. On each individual connection, secure your work using electrical tape.
3. You can seal the hole where the wires exit the trailer with silicone or caulk.
4. With these connections secured, carefully mount the AHDS-7812 to your vehicle with the screws provided in the kit. You should be able to use the factory screw locations.
5. Test the power connection by turning on the vehicle parking lights. Once verified, snap on the marker light cover that was removed in the preparation stage back into the marker light housing.
6. Repeat this process on the opposite side of your vehicle.



Camera Pairing

Programming:

1. The AHDS-7812 Wireless HD Side Marker Lights are exclusively compatible with the AHDS-7810v2 Wireless HD Observation System. Please locate your AHDS-7810v2 user manual to aid in the programming process. If your user manual has been misplaced, please locate the AHDS-7810v2 page on the Brandmotion website and use the user manual link.

The suggested optimal pairing is as follows:

CAM #1: Driver's side AHDS-7812 Wireless HD Side Marker Light Camera

CAM #2: Passenger's side AHDS-7812 Wireless HD Side Marker Light Camera

CAM #3: The AHDS-7810v2 Wireless HD Observation Camera (rear mount recommended for visibility while operating your vehicle in reverse)

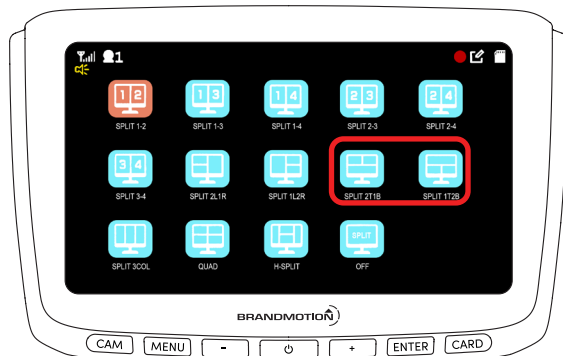
2. During the pairing process, each camera must be paired in sequence with their desired position, and each camera must be paired individually. Please refer to page three of your AHDS-7810v2 user manual. Refer to the "Mode" illustration below to view our recommended screen combinations.
3. Turn on your vehicle and observation system. Wait 2 minutes to allow your cameras to power up and prepare to sync. Turn on your parking lights, verify the lights are lit on your vehicle and trailer, and the red indicator light is lit on your cameras as shown on the image below.
4. If available, we recommend a second person to assist in the pairing process (one person to operate the monitor, one to go from camera to camera). Use the following procedure to implement the optimal pairing for your system:
 - a. On your AHDS-7810v2 monitor, press the CAM button. If you are not already on input "CAM #1," press and release the CAM button until you reach the appropriate input.
 - b. Locate the manual pairing button on the driver's side AHDS-7812 side marker light camera, as shown in the image below. Press and release the button. You now have 30 seconds to pair your camera to the monitor.
 - c. On your AHDS-7810v2 observation system monitor, press and hold the CAM button. Allow a moment for the camera to pair. Release the CAM button. (NOTE for older 7810v2 models: if pairing is not initiated, press "M" button and then "SD" when the selection is over "Pairing".)
 - d. Once paired to your monitor, press and release the CAM button to cycle to input "CAM #2."
 - e. Locate the manual pairing button on the passenger's side AHDS-7812 side marker light camera. Press and release the button. You now have 30 seconds to pair your camera to the monitor.

Camera Pairing

Programming:

- f. On your AHDS-7810v2 observation system monitor, press and hold the CAM button. Allow a moment for the camera to pair. Release the CAM button.
 - g. Once paired to your monitor, press and release the CAM button to cycle to input "CAM #3."
 - h. Locate the manual pairing button on your AHDS-7810v2 camera, this will be in the same location as the side marker light cameras. Press and release the button. You now have 30 seconds to pair your camera to the monitor.
 - i. On your AHDS-7810v2 observation system monitor, press and hold the CAM button. Allow a moment for the camera to pair. Release the CAM button.
5. All cameras are now paired! Please refer to page #8 in the user manual to select your camera layouts. For a 3 camera setup, we recommend the two outlined options in the "Mode" section below.

Mode



- From the Main Menu, select MODE to choose from a variety of 14 Split Screen combinations.
- The Split Screen option you select is what will be displayed as the 5th camera view when you cycle the camera input with the CAM button
- Select OFF to disable the mode input



The CAM button for pairing cameras to the monitor

